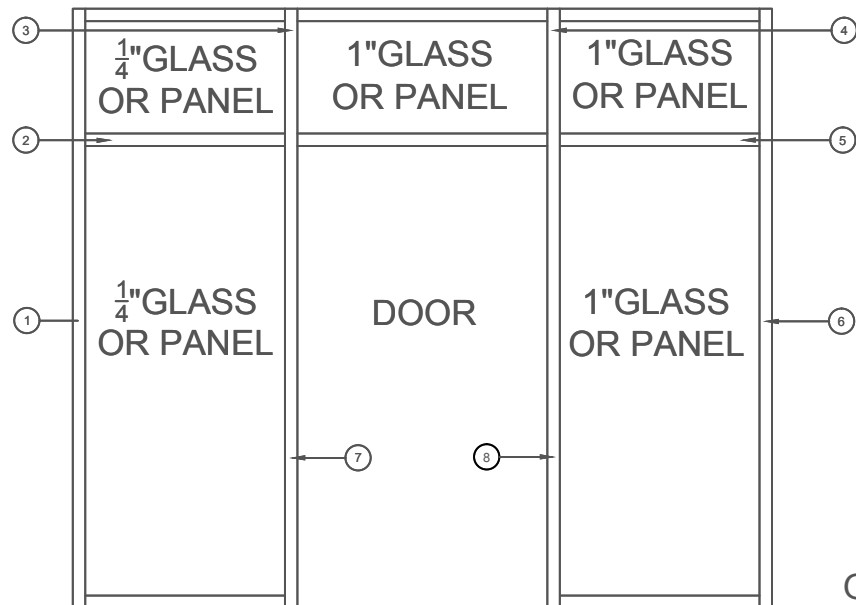
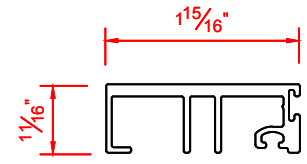


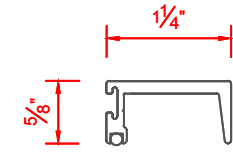
VALE 4" X 4½" FRAMING SYSTEMS WITH APPLIED STOPS



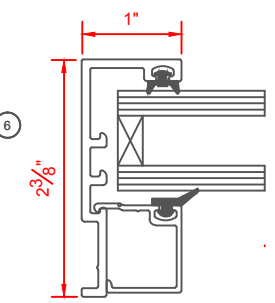
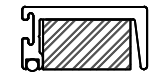
LARGE DOOR STOP



SMALL DOOR STOP



SMALL DOOR STOP WITH REINFORCEMENT



ADJUSTABLE GLAZING STOP

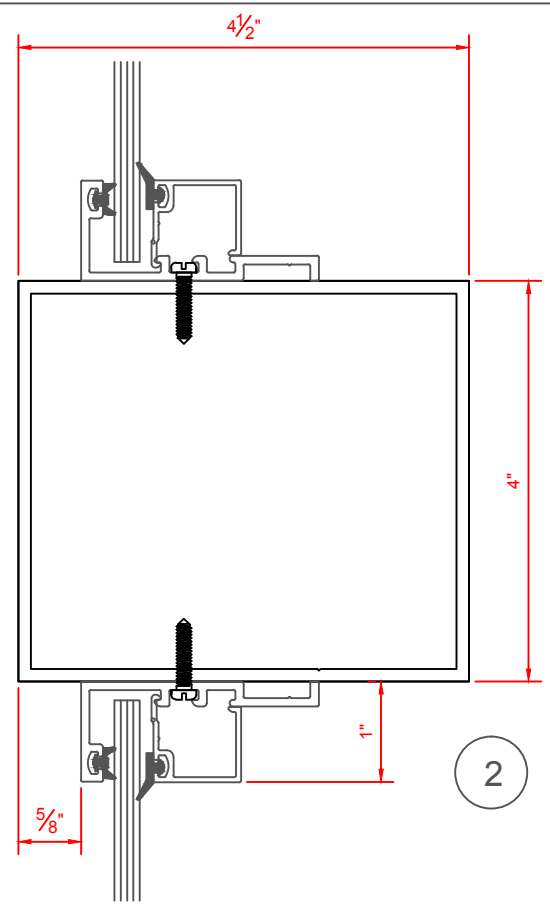
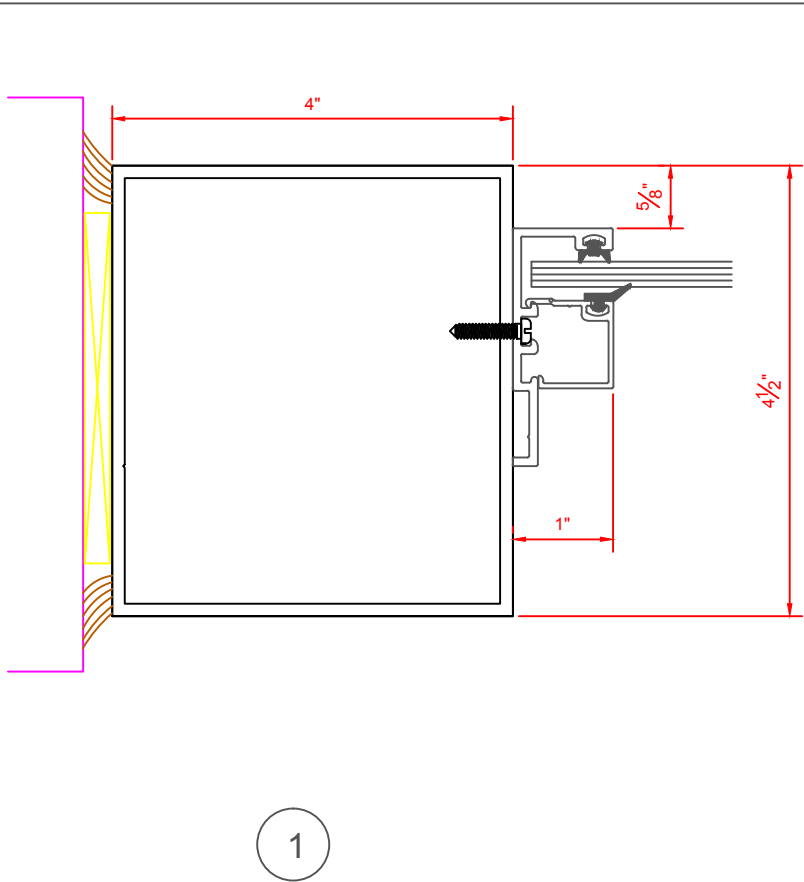
4" X 4½" FRAMING SYSTEM WITH STOPS

ADJUSTABLE GLAZING / DOOR STOPS

VALE DOORS 2010

SCALE: FULL

ALLOY: 6063-T6



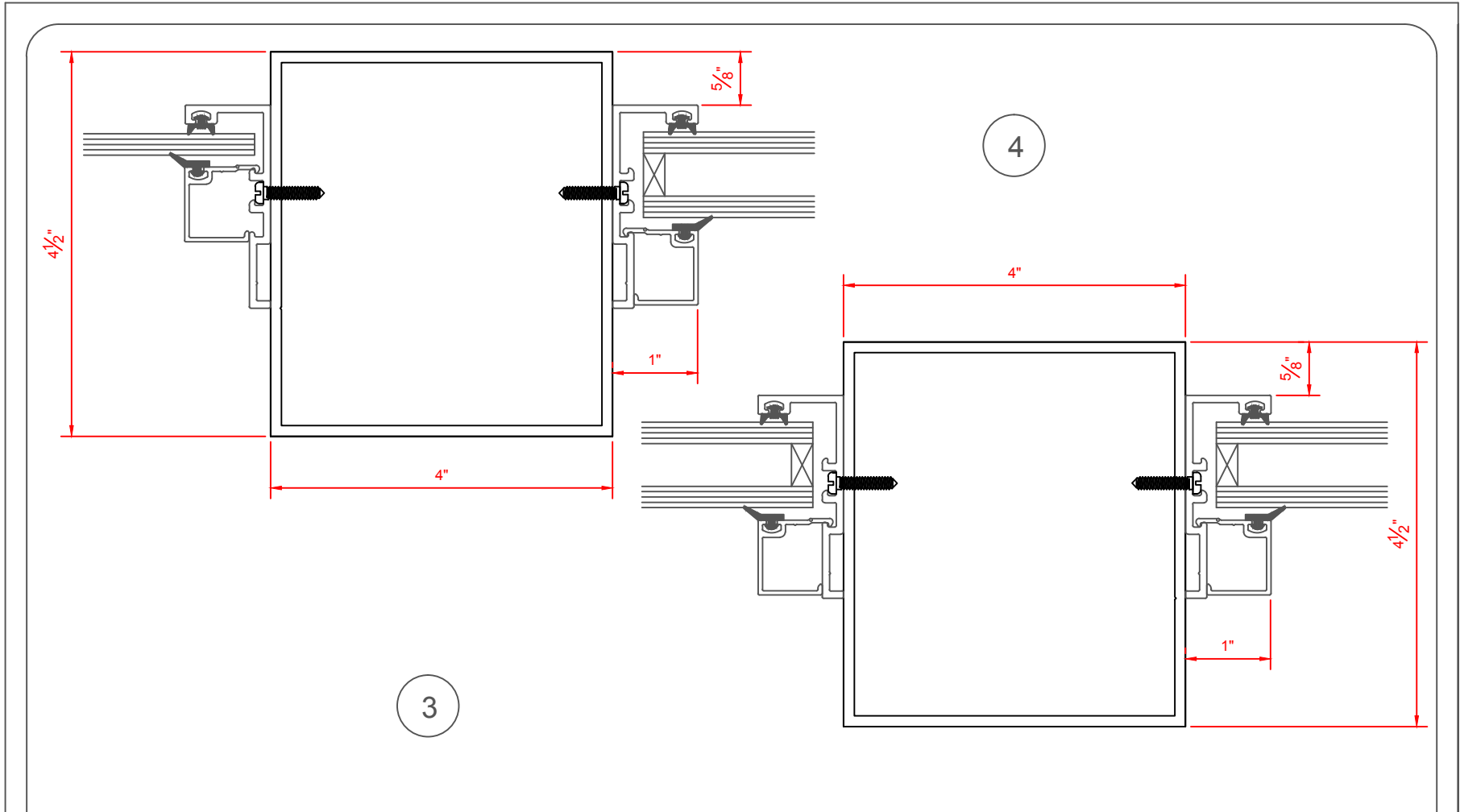
4" X 4 1/2" FRAMING SYSTEM WITH STOPS

ADJUSTABLE GLAZING STOPS

VALE DOORS 2010

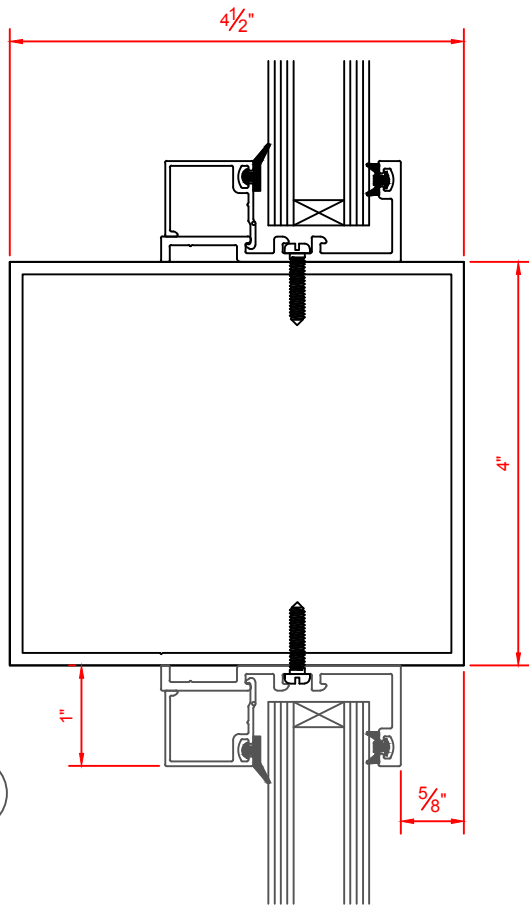
CAULK BY OTHERS

SHIMS BY OTHERS

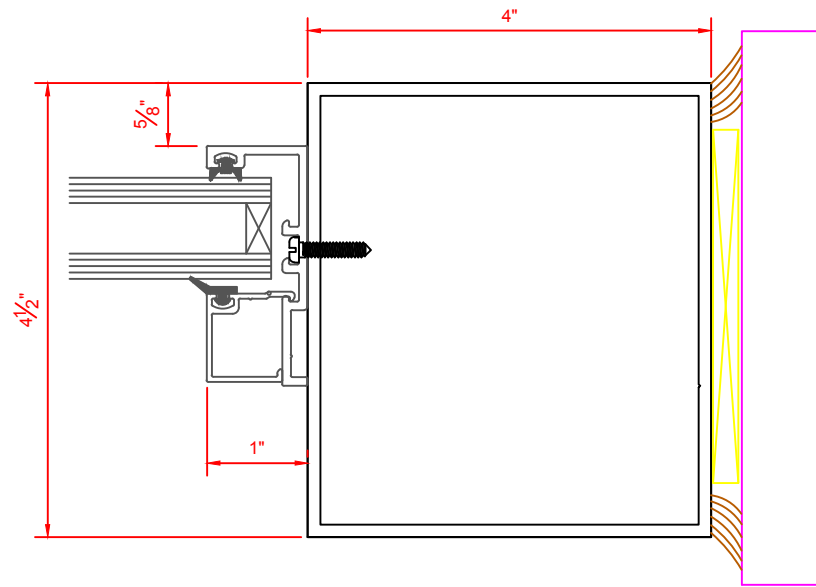


4" X 4 1/2" FRAMING SYSTEM WITH STOPS

ADJUSTABLE GLAZING STOPS



5



6

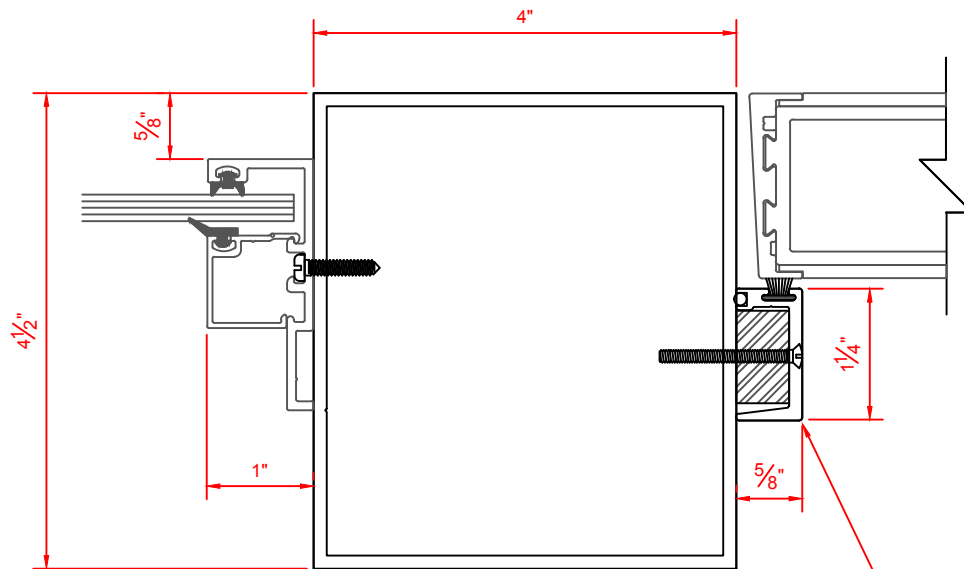
4" X 4 1/2" FRAMING SYSTEM WITH STOPS

ADJUSTABLE GLAZING STOPS

VALE DOORS 2010

CAULK BY OTHERS

SHIMS BY OTHERS



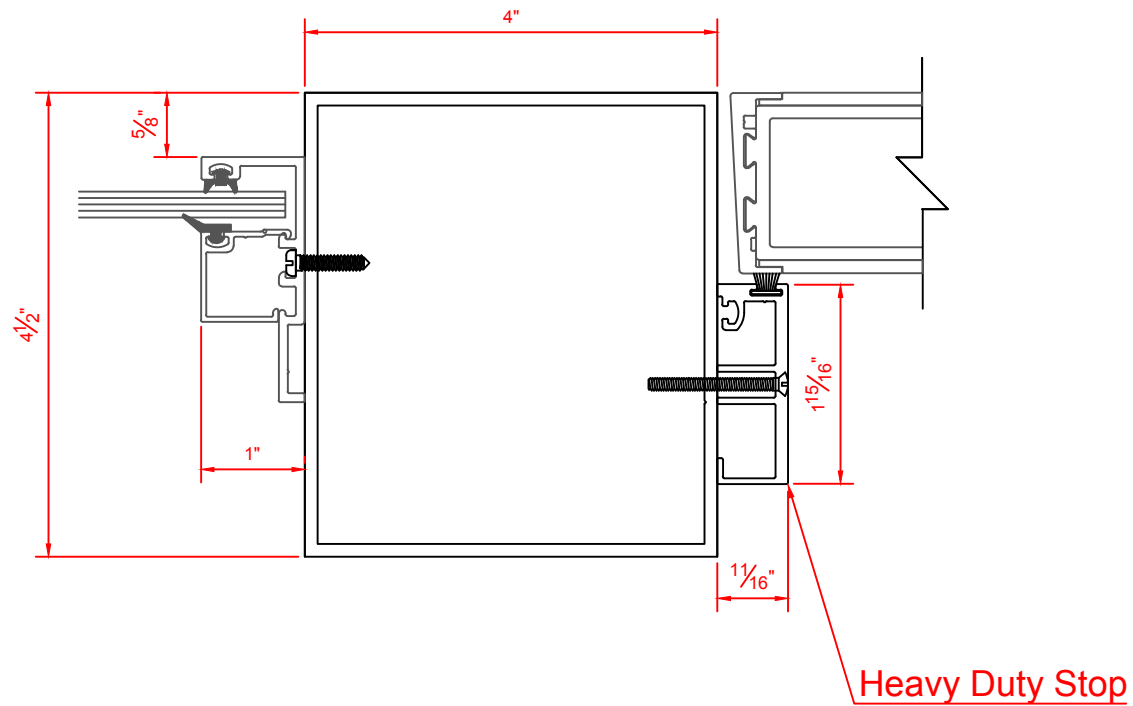
Low Profile Heavy Duty Stop With Reinforcement

7

4" X 4 1/2" FRAMING SYSTEM WITH STOPS

ADJUSTABLE GLAZING / DOOR STOPS

VALE DOORS 2010

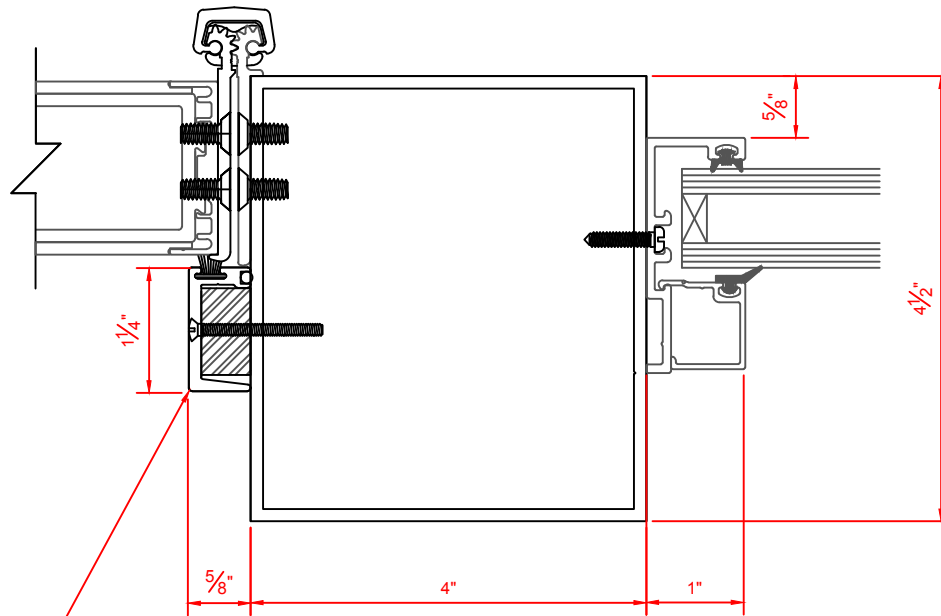


7

4" X 4½" FRAMING SYSTEM WITH STOPS

ADJUSTABLE GLAZING / DOOR STOPS

VALE DOORS 2010



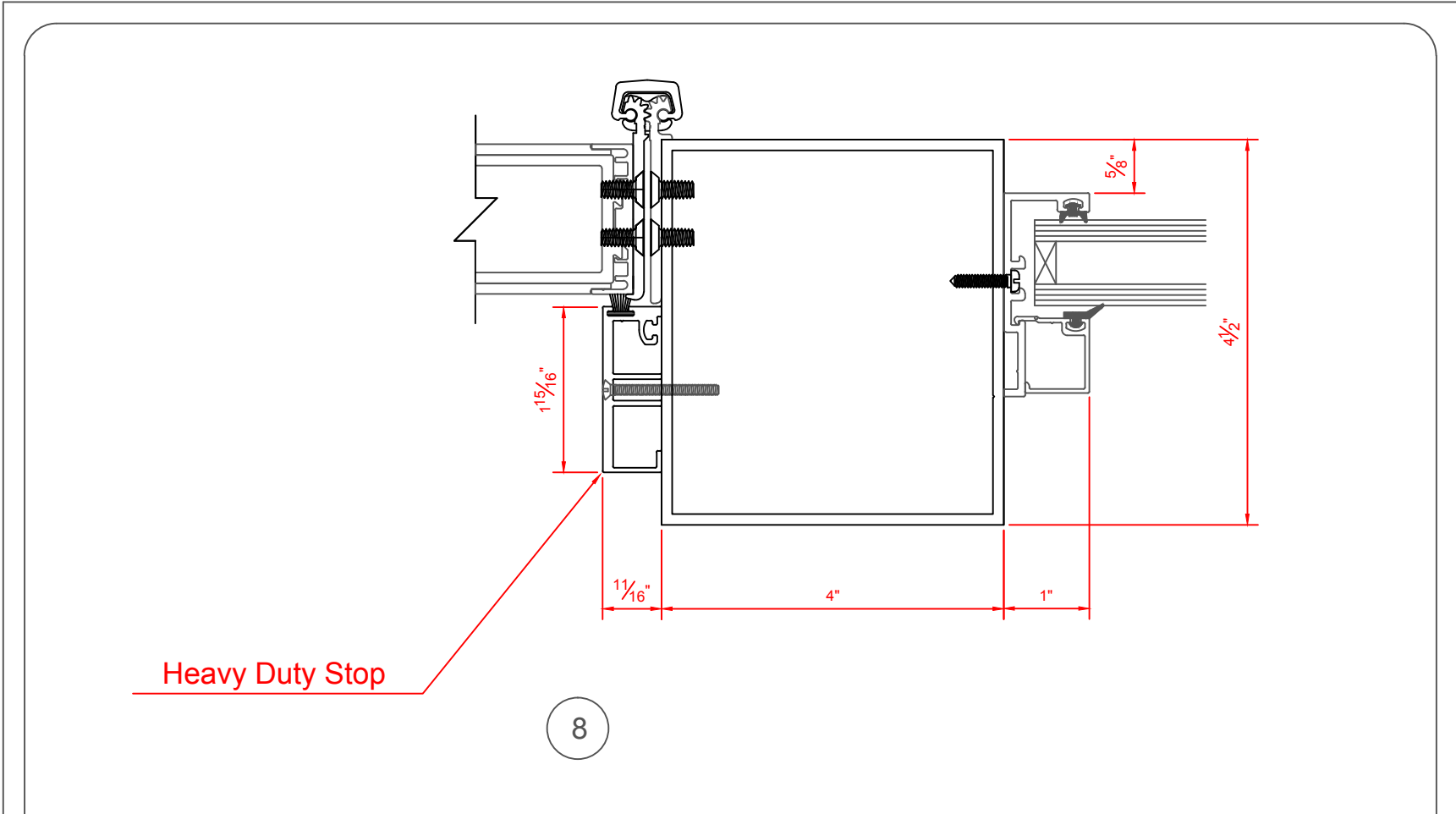
Low Profile Heavy Duty
Stop With Reinforcement

8

4" X 4 1/2" FRAMING SYSTEM WITH STOPS

ADJUSTABLE GLAZING / DOOR STOPS

VALE DOORS 2010



Heavy Duty Stop

8

4" X 4 1/2" FRAMING SYSTEM WITH STOPS

ADJUSTABLE GLAZING / DOOR STOPS

VALE DOORS 2010